

VERTICAL MOUNT FOR TOROIDS

The VM vertical mounts for toroids are made of Nylon 6/6 material and rated at UL94-V0. They are available either with no terminals or with 4, 10 or 14 terminals. Those with no terminals have four through holes of diameter 0.048" for mounting.

Solderability: MIL-STD-202, Method 208
 Terminals: 0.04" diameter, 100% tin plated

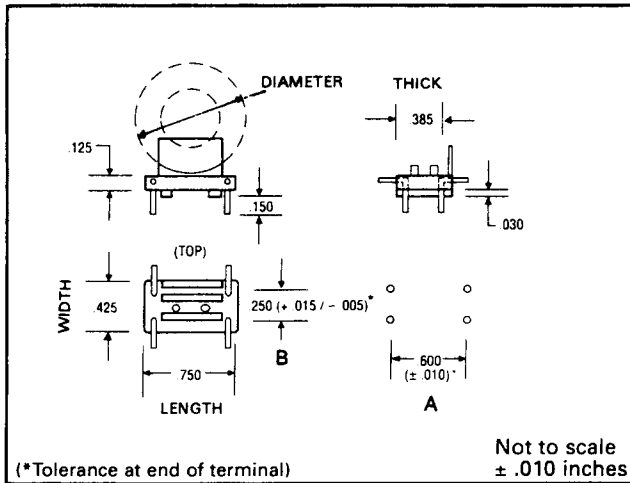


Figure 1

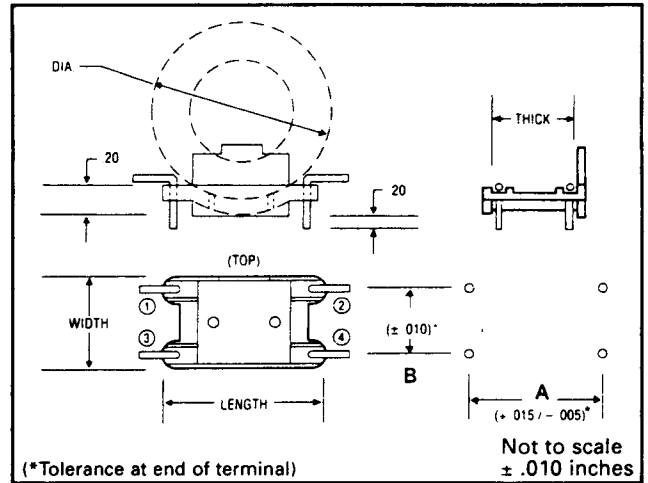


Figure 2

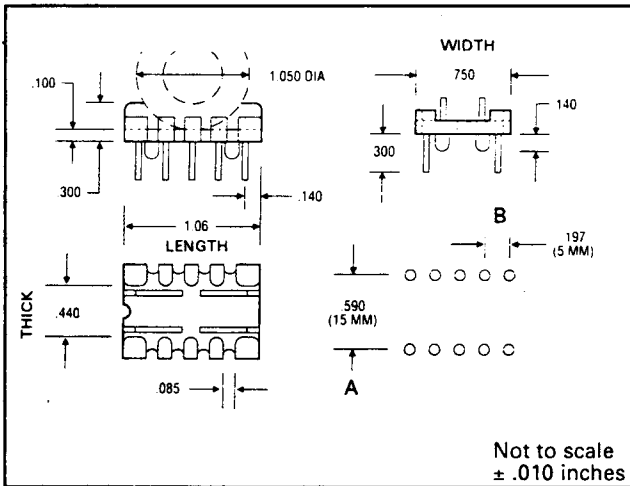


Figure 3

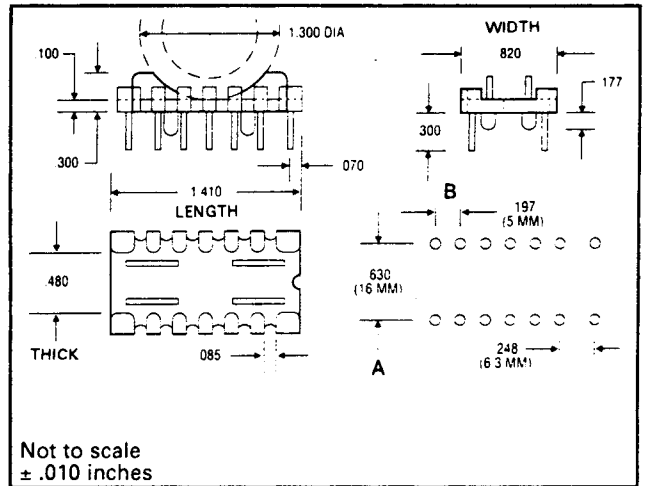


Figure 4

(All Dimensions are in inches)